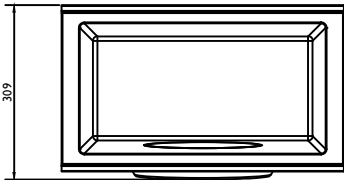
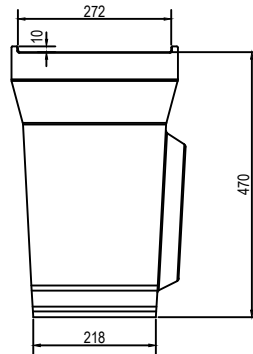
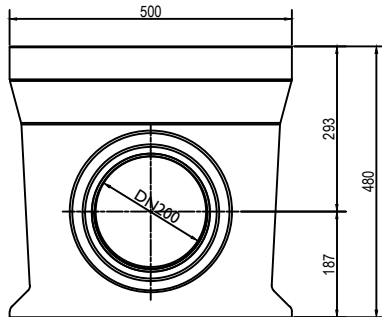
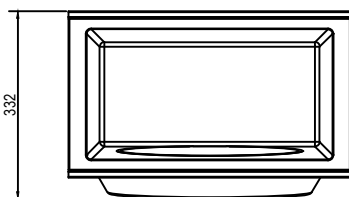
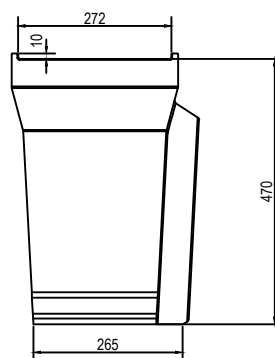
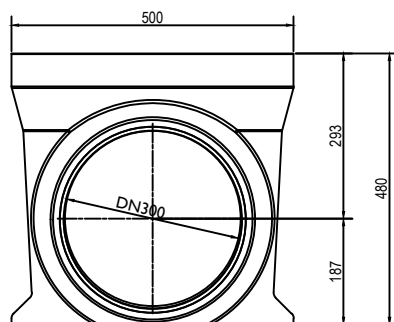


Izlivna jedinica osnova DN200
 BG code: 19120095; 35,5kg



Izlivna jedinica osnova DN300
 BG code: 19120096; 39kg



purator
 serbia
 member of the waliner & neubert group

PURATOR Ekotehnika d.o.o.

ul. Kružni put 16a
 Beograd, Leštane
 office@purator.rs

tel.: +381 11 803 10 52
 faks: +381 11 803 08 26
 www.purator.rs



www.bg-company.com

Naziv crteža: **LINIJSKO ODVODNJAVANJE-FCT one NW200-sabirno okno DN200/DN300**
 Drawing name:

Art.br:	19120095	format:	A4
		scale:	