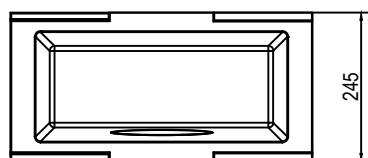
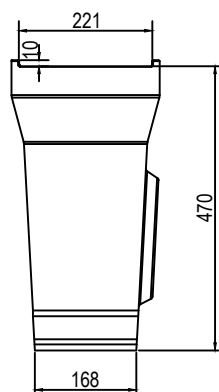
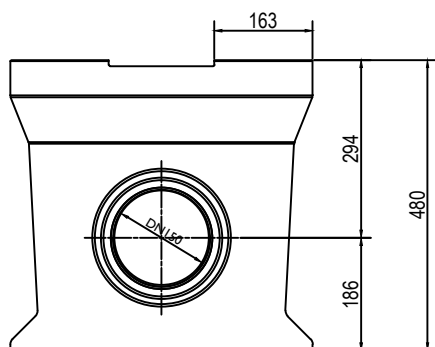
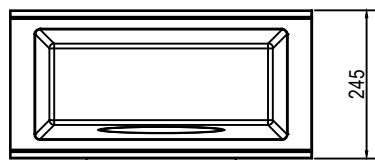
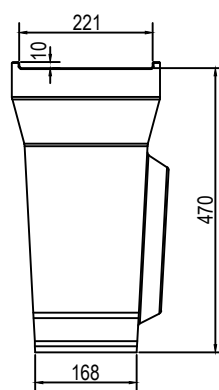
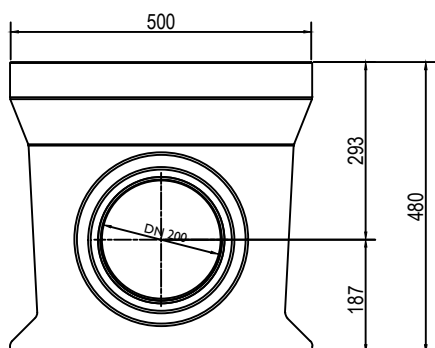


Izlivna jedinica-osnova DN150
 BG code: 19115095; 32,8kg



Izlivna jedinica-osnova DN200
 BG code: 19115096; 33,3 kg



purator
 serbia
 member of the wallner & neubert group

PURATOR Ekotehnika d.o.o.
 ul. Kružni put 16a tel.: +381 11 803 10 52
 Beograd, Leštane faks: +381 11 803 08 26
 office@purator.rs www.purator.rs



www.bg-company.com

Naziv crteža: **LINIJSKO ODVODNJAVANJE-FCT one NW150-sabirno okno DN150/DN200**
 Drawing name:

Art.br: 19115095

format:

A4

scale: