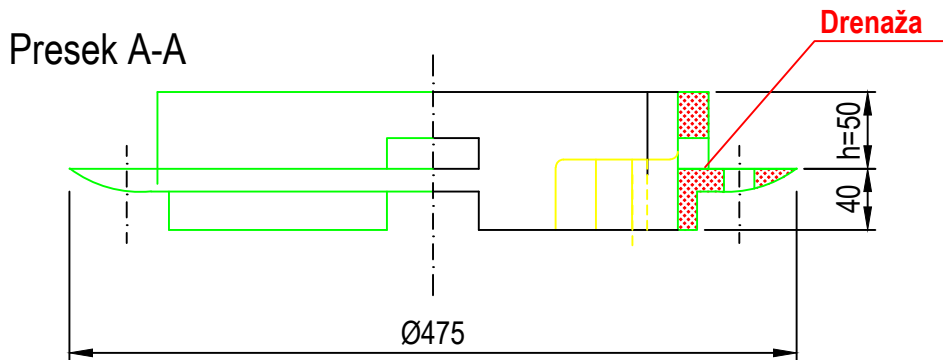
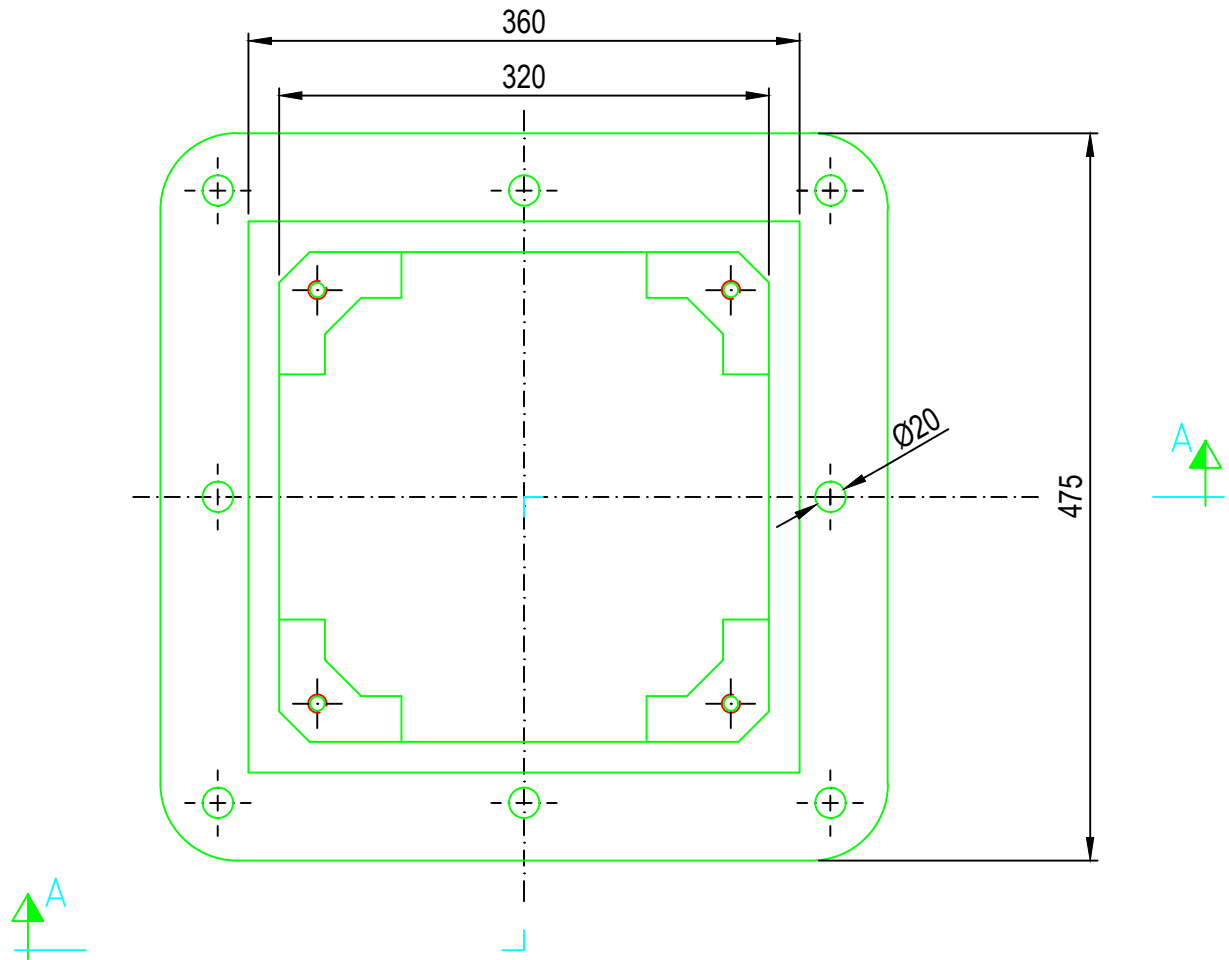


WAL 335G-50



purator
serbia
member of the wallner & neubert group

PURATOR Ekotehnika d.o.o.
ul. Kružni put 16a tel.: +381 11 803 10 52
Beograd, Leštane faks: +381 11 803 08
office@purator.rs 26
www.purator.rs

wallner
& **neubert**
Wassertechnik für Lebensräume

Wallner & Neubert GmbH

Im Felberbrunn 2 tel.: +43(0)5 05 13-0
2340 Modling, Österreich fax: +43(0)5 05 13-210
office@pwn.at www.pwn.at

Naziv crteža:
Drawing name:

SISTEMI ZA ODVODNJAVANJE MOSTOVA -glavni ram
WAL -AUSTRIA

Art.br:

WAL 335G-50

format:

A4

scale: