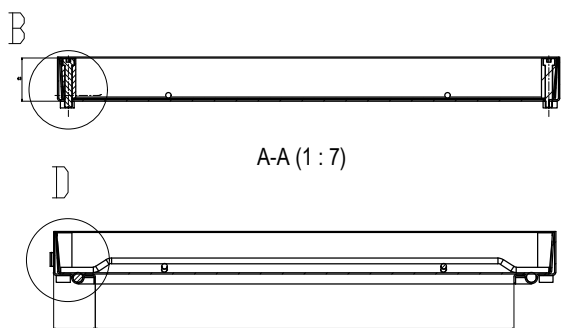
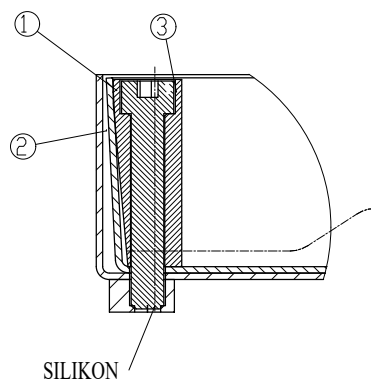


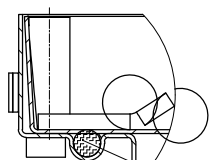
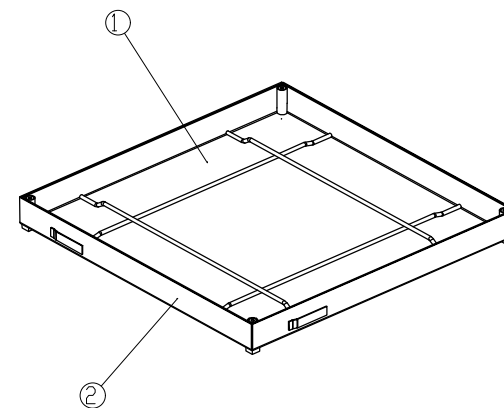
PRILIKOM ZAVRTANJA, STAVITI IZMEĐU RAMA I OKVIRA METAL DEBLJINE 1mm



A-A (1:7)



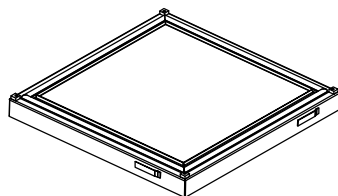
SILIKON



PRESEK C-C

DETALJ D

④ Pos. 4 zalepiti



**purator**  
serbia  
member of the wallner & neubert group

PURATOR Ekotehnika d.o.o.

ul. Kružni put 16a  
Beograd, Leštane  
office@purator.rs

tel.: +381 11 803 10 52  
faks: +381 11 803 08 26  
www.purator.rs

**wallner**  
& **neubert**  
Wasser-technik für Lebensräume

Wallner & Neubert GmbH

Im Felberbrunn 2  
2340 Modling, Österreich  
office@pwn.at

tel.: +43(0)5 05 13-0  
fax: +43(0)5 05 13-210  
www.pwn.at

Naziv crteža:  
Drawing name:

**POKLOPCI ZA ISPUNU - PURASTEEL**

Art.br:

**TYPE 1065BV125-33K**