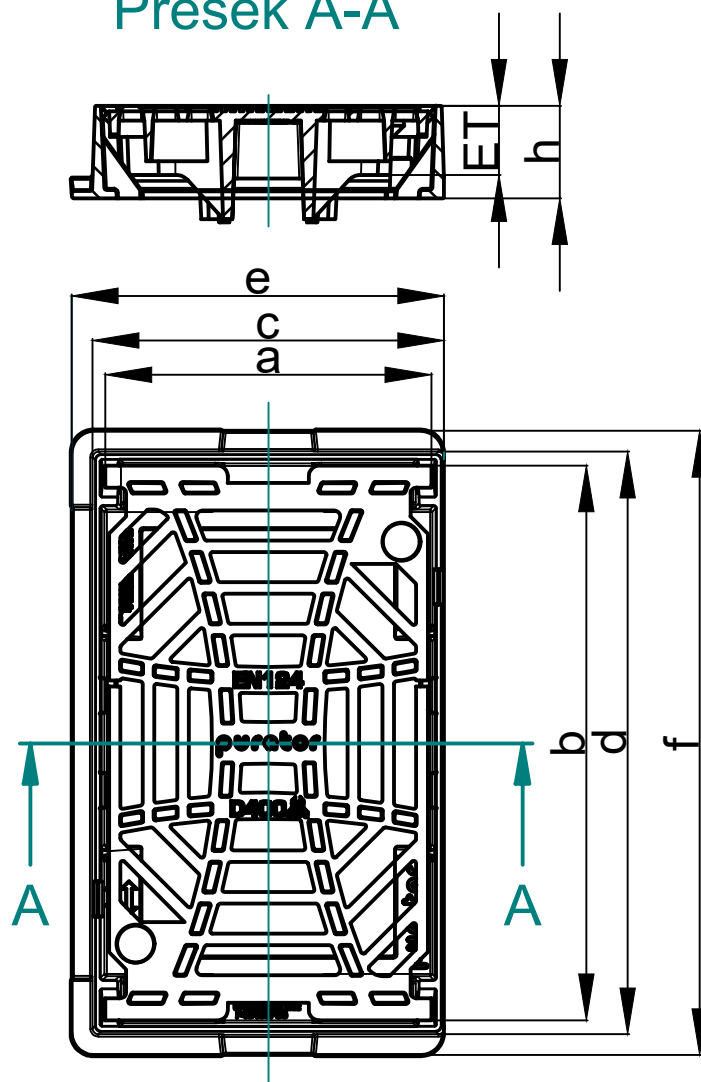


## Presek A-A



a	282mm
b	480mm
c	304mm
d	504mm
e	322mm
f	540mm
ET	60mm
h	80mm

**purator**  
serbia  
member of the wallner & neubert group

PURATOR Ekotehnika d.o.o.  
ul. Kružni put 16a tel.: +381 11 803 10 52  
Beograd, Leštane faks: +381 11 803 08 26  
office@purator.rs www.purator.rs

**wallner**  
& **neubert**  
Wassertechnik für Lebensräume

Wallner & Neubert GmbH  
Im Felberbrunn 2 tel.: +43(0)5 05 13-0  
2340 Modling, Österreich fax: +43(0)5 05 13-210  
office@pwn.at www.pwn.at

Naziv crteža:  
Drawing name:

**ŠAHTOVSKI POKLOPCI DRAINEX DN 500x500/500x300**

Art.br:

**TYPE P43400P35**