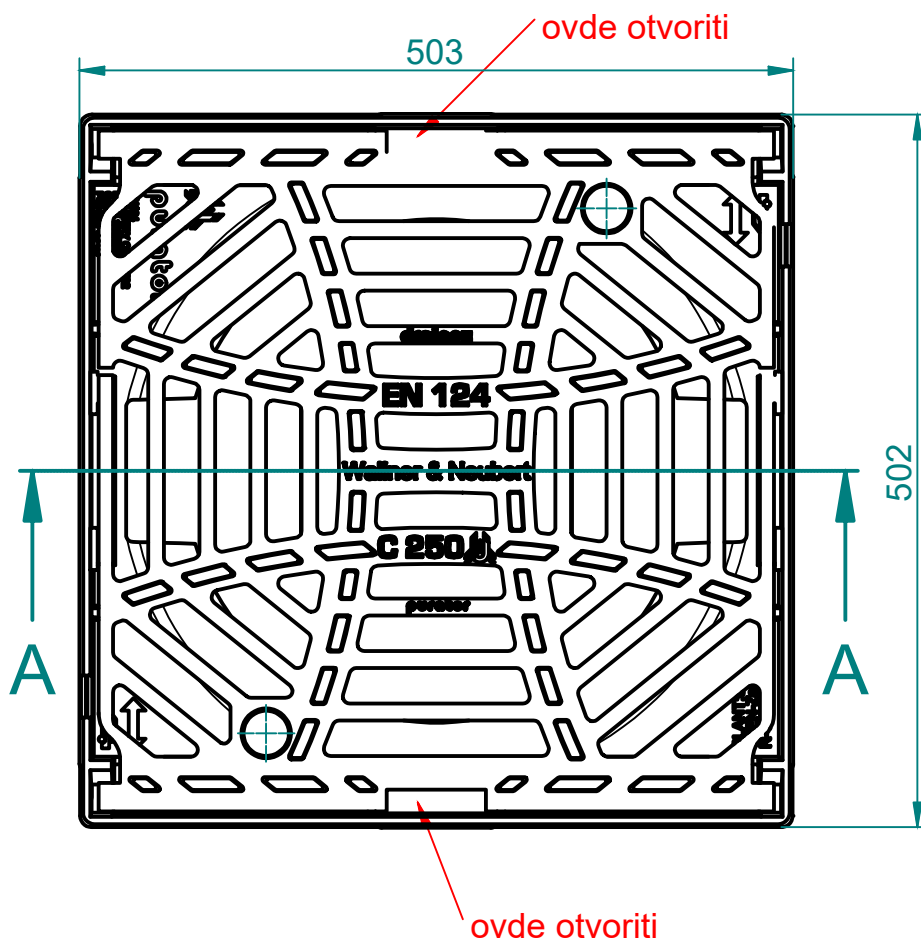
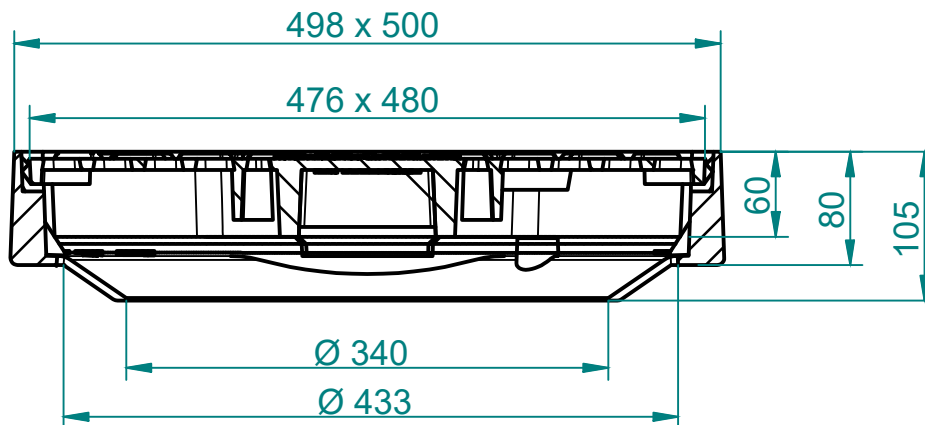


## Presek A-A



Oblast vodnog područja: 9,1dm<sup>2</sup>

**purator**  
serbia  
member of the wallner & neubert group

PURATOR Ekotehnika d.o.o.  
ul. Kružni put 16a  
Beograd, Leštane  
office@purator.rs  
tel.: +381 11 803 10 52  
faks: +381 11 803 08 26  
www.purator.rs

**wallner & neubert**  
Wassertechnik für Lebensräume

Wallner & Neubert GmbH  
Im Felberbrunn 2  
2340 Modling, Österreich  
office@pwn.at  
tel.: +43(0)5 05 13-0  
fax: +43(0)5 05 13-210  
www.pwn.at

Naziv crteža:  
Drawing name:

**P - TOP REŠETKE - DRAINEX 500x500**

Art.br:

P43250P55

format:

A4

scale: