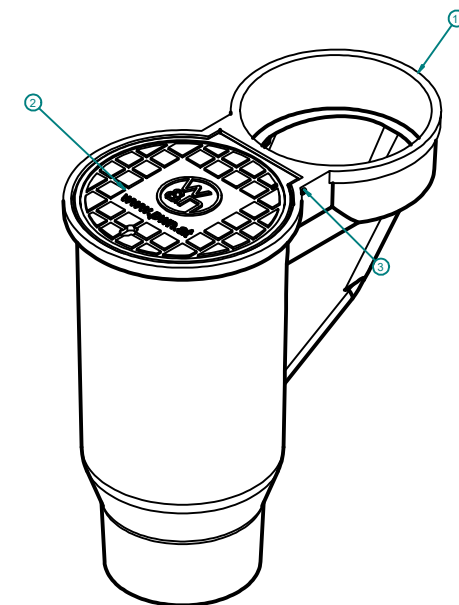


Section A-A



No	kol	Naziv	Dimenzije	Cut	Standard	Material
1	1	Telo DN125	-	-	EN124	EN-GJS-500/7 0.7050
2	1	Poklopac	-	-	EN124	EN-GJS-500/7 0.7050
3	2	Zglobna veza poklopa 4x20	-	-	ISO8745	S235SLR 1.0037

	PURATOR Ekotehnika d.o.o. ul. Kružni put 16a Beograd, Leštane office@purator.rs	tel.: +381 11 803 10 52 faks: +381 11 803 08 26 www.purator.rs		Wallner & Neubert GmbH Im Felberbrunn 2 2340 Modling, Österreich office@pwn.at	tel.: +43(0)5 05 13-0 fax: +43(0)5 05 13-210 www.pwn.at	
	Naziv crteža: Drawing name:	OLUČNJAK DN 125		Masa:	10,105kg	Standard:
Art.br:	P1003B		Typ:	P1003B		