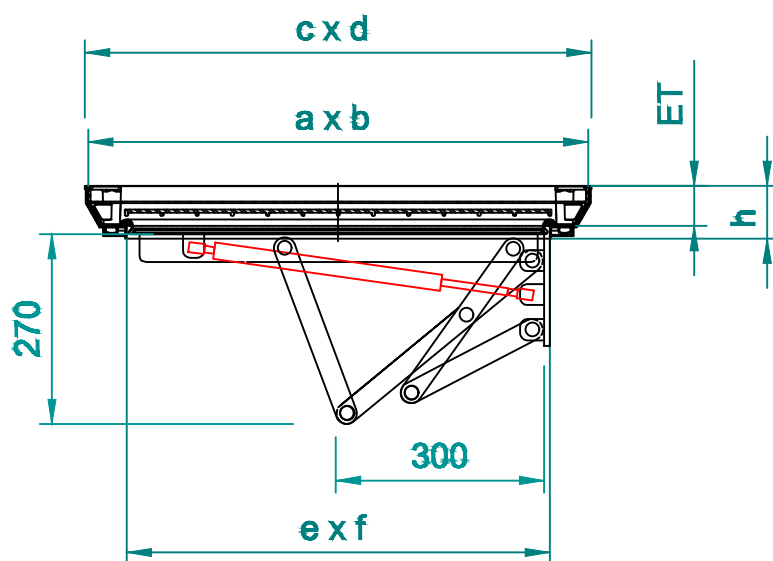
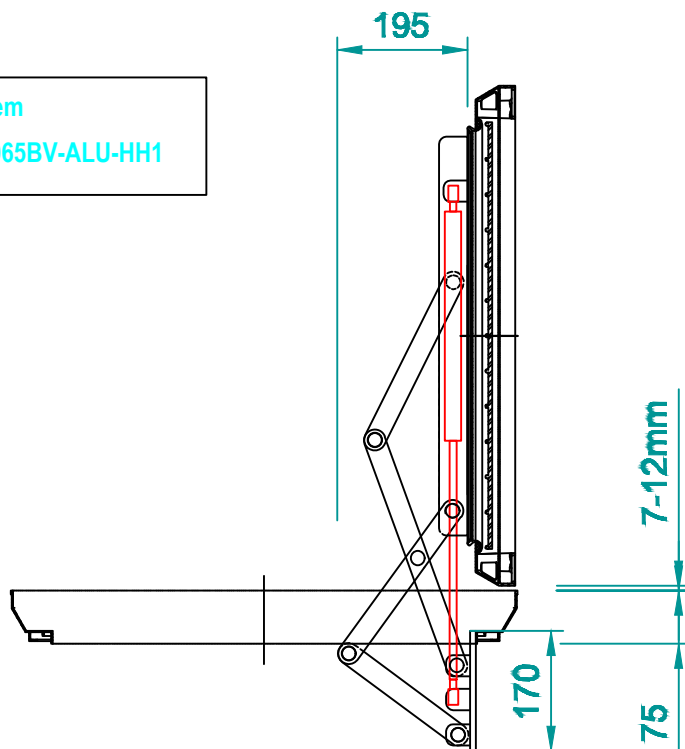


Sa pomoćnim otvaranjem
Retrofit komponenta 1065BV-ALU-HH1



a	709mm
b	709mm
c	718mm
d	718mm
e	600mm
f	600mm
h	75mm
ET	57mm

purator
serbia
member of the wallner & neubert group

PURATOR Ekotehnika d.o.o.
ul. Kružni put 16a tel.: +381 11 803 10 52
Beograd, Leštane faks: +381 11 803 08 26
office@purator.rs www.purator.rs

wallner & neubert
Wassertechnik für Lebensräume

Wallner & Neubert GmbH
Im Felberbrunn 2 tel : +43(0)5 05 13-0
2340 Modling, Osterrich fax : +43(0)5 05 13-210
office@pwn.at www.pwn.at

Naziv crteža: **POKLOPCI ZA ISPUNU - ALUPURA sa hidrauličnim otvaranjem**
Drawing name:

Art.br: **TYPE 1065BV-ALU66HH-AM-A**